



**PX78 Series
mV/V Output
0-4 to 0-500 psi
0-275 mbar to 0-35 bar**

Notice: OMEGADYNE does not offer a warranty on this product, its use or application. It is the end user's responsibility to assure proper installation and use of this transducer.

- ✔ All Stainless Steel Construction
- ✔ Hermetically Sealed Housing
- ✔ Screw on Protective Cap Included
- ✔ 50 ft (16m) Vented Cable Standard
- ✔ Works with Optional In-Line Amplifiers

The OMEGADYNE™ PX78 pressure transducer is a fully submersible transducer designed for liquid level and depth measurement. Its all stainless steel hermetically sealed housing makes it suitable for immersion in most industrial liquids and oils. A standard 50 foot vented cable (longer lengths available) provides an atmospheric pressure reference. The PX78 with a 5000 ohm bridge is designed to work with the DMD-16 and DMD-17 in line amplifiers for long distance transmission of the signal.

SPECIFICATIONS:

Electrical:
Excitation: 10V ac/dc (15V max)
Output: 3 mV/V
Zero Balance: ±2% FSO
Input Resistance: 5,000 ohms min.
Output resistance: 5,000 ±50 ohms

**For Sales and Service
In U.S.A. and Canada**

**1-800-872-3963
1-800-USA-DYNE**

**International Customers Dial
(614) 965-9340
24-Hour FAX (614) 965-9438**

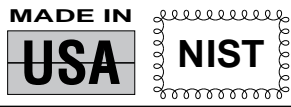
OMEGADYNESM FAX

OMEGADYNE's 24-Hour
On-Line Publishing Service

**1-800-344-3963
1-800-DIG-DYNE**

Document # 3697

OMEGADYNE, Inc.
 149 Stelzer Court, Sunbury, OH 43074
<http://www.omegadyne.com>
 e-mail: info@omegadyne.com



Interchangeable with
Model TH-LD

**SPEC SHEET
PX78-mV**

SUBMERSIBLE PRESSURE TRANSDUCER

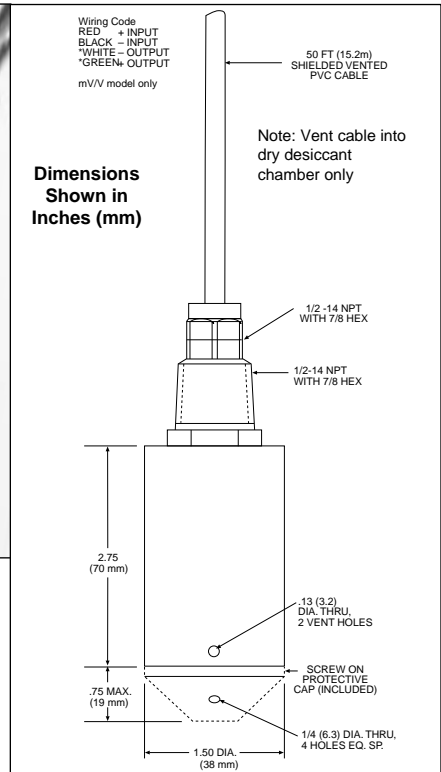
For Level and Depth Measurement



\$560

Model PX78U7-005GV
Shown Smaller than Actual Size

Performance:
Accuracy Class: 0.25% Linearity, Hysteresis, and Repeatability Combined
Environmental:
Operational Temp Range: -29 to 93°C (-20 to 200°F)
Compensated Temp Range: 16 to 71°C (60 to 160°F)
Thermal Effects:
 Span Error: 0.003% of Rdg/°F
 Zero Error: 0.0045% of FSO/°F
Pressure:
Ranges (psi): 4, 5, 10, 15, 30, 50, 100, 250, 500
Proof Pressure: 150% of rated pressure



Burst Pressure: 300% of rated pressure
Mechanical:
Wetted Parts: 316 & 17-4 PH Stainless Steel
Pressure Port: Nose protector included
Electrical Connection: 50 ft (15.2m) shielded and vented PVC cable

► Most Popular Models Highlighted ◀

Prices Shown in U.S. Dollars

To Order: (Specify Model Number)			
Range (psig)	Model Number	Price	Compatible Meters
0-4	PX78U7-004GV	\$560	INFS, INFCS
0-5	PX78U7-005GV	560	INFS, INFCS
0-10	PX78U7-010GV	560	INFS, INFCS
0-15	PX78U7-015GV	560	INFS, INFCS
0-30	PX78U7-030GV	560	INFS, INFCS
0-50	PX78U7-050GV	560	INFS, INFCS
0-100	PX78U7-100GV	560	INFS, INFCS
0-250	PX78U7-250GV	560	INFS, INFCS
0-500	PX78U7-500GV	560	INFS, INFCS

Interchangeable with Model TH-LD Metric Ranges Available - Consult Engineering
 To order with extra cable add "-(length in feet)FT" and add \$2.00 per foot over 50 ft.
Ordering Examples: 1.) PX78U0-015GV-100FT is a 15 psi transducer with 100 ft of cable, \$560 + 50 x 2.00 = \$660. 2.) PX78U0-005GV is a 5 psi transducer with the standard 50 ft cable, \$560.

Accessories: (In-Line Amplifiers)		
Model	Price	Description
DMD-16V	\$165	0-5 V output, NEMA 4 Stainless Steel Case
DMD-17V	165	0-5 V output, NEMA 12 Enclosure
DMD-16I	165	4-20 mA output, NEMA 4 Stainless Steel Case
DMD-17I	165	4-20 mA output, NEMA 12 Enclosure

Ordering Examples: 1.) DMD-16V is a 0-5 V output NEMA 4 amplifier, \$165.
 2.) DMD-17I is a 4-20 mA output NEMA 12 Amplifier, \$165.

